



DITEK Corporation
ONE DITEK CENTER
1720 Starkey Road
Largo, FL 33771

INSTALL INSTRUCTIONS

D200-120/240HL

NOTICE: This SPD should be installed by a licensed contractor in accordance with all applicable National and Local Electrical Codes and the following instructions.

APPLICATION

Type 1 SPD for hardwired installation on a 120/240 VAC 3 phase High Leg Delta electrical service.

INSTRUCTIONS:

Caution: Measure all voltages to verify applied voltage does not exceed the voltage rating of the unit. Reference the Expected System Voltages chart below. Improper installation voids the warranty.

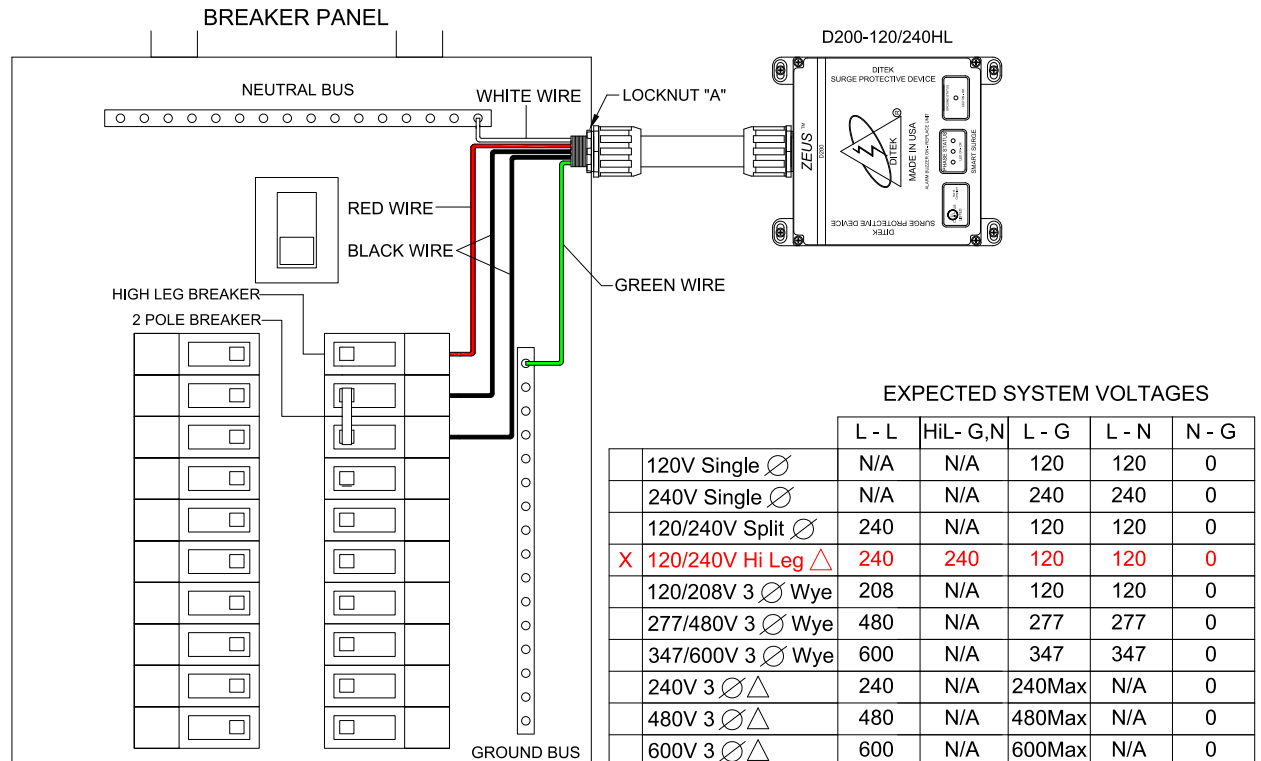
NOTE: Suitable for use on a circuit capable of delivering not more than 100,000 rms symmetrical Amperes. Recommended circuit breaker size is 30 Amps. This SPD contains no serviceable parts.

1. Turn off the power at the main breaker or service disconnect before beginning installation.
2. Remove front cover from the electrical panel.
3. Determine the ideal mounting position of the SPD by orienting the unit as close as possible to the position of the circuit breaker selected for the SPD connection.
4. Remove a 3/4" knockout in the electrical panel or drill a 3/4" NPT hole in the electrical panel.
5. See the Illustrations Page on the back side of this document for instructions on assembling the included liquid-tight conduit and connector. The conduit length can be cut down shorter if desired.
6. Remove "Locknut A" from the conduit connector.
7. Feed all wires, conduit and 3/4" NPT connector through the knockout hole in the panel, and finally tighten "Locknut A" on the conduit connector.
8. Connect the Ground wire (Green) to the Ground bus inside of the panel.
9. Connect the Neutral wire (White) to the Neutral bus inside of the panel.
10. Connect the (1) High Leg Phase wire (Red) to the load side of the 1-pole High Leg circuit breaker.
11. Connect the (2) Phase wires (Black) to the load side of the 2-pole circuit breaker.
12. Securely mount the enclosure with appropriate anchors by using the mounting feet located at each corner.
13. After all connections have been made and no hazards exist, replace panel cover and restore power.

Audible Alarm Operation: This SPD includes an audible alarm that will sound when the unit has self-sacrificed and is no longer providing protection. To silence the audible alarm, power to the SPD needs to be turned off via the circuit breaker or service disconnect.

Dry Contact Connection: This is a Form C Dry Contact Circuit, 0.9A, 240VAC maximum input. Normally Open (NO)=Black Wire, Common (COM)=Red Wire, Normally Closed (NC)=White Wire.

Note: Remote Alarm Wires To Be Connected To Class 1 Circuits Only.



INSTALLATION



DITEK Corporation
ONE DITEK CENTER
1720 Starkey Road
Largo, FL 33771

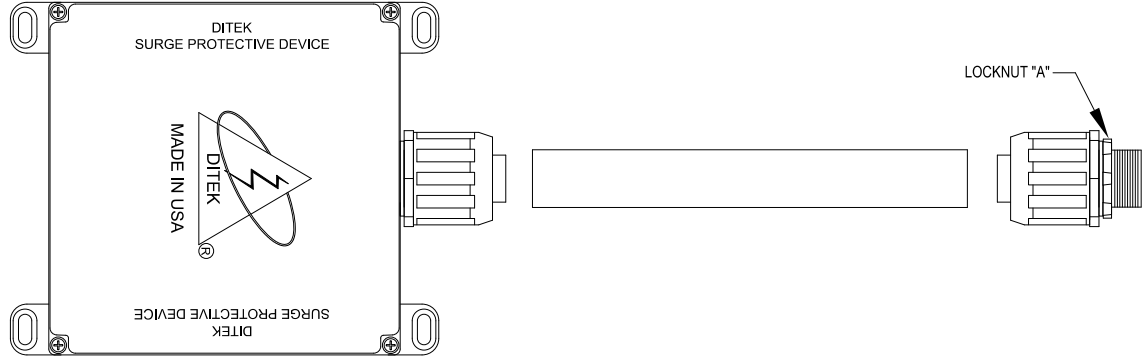
INSTALL INSTRUCTIONS

D200-120/240HL

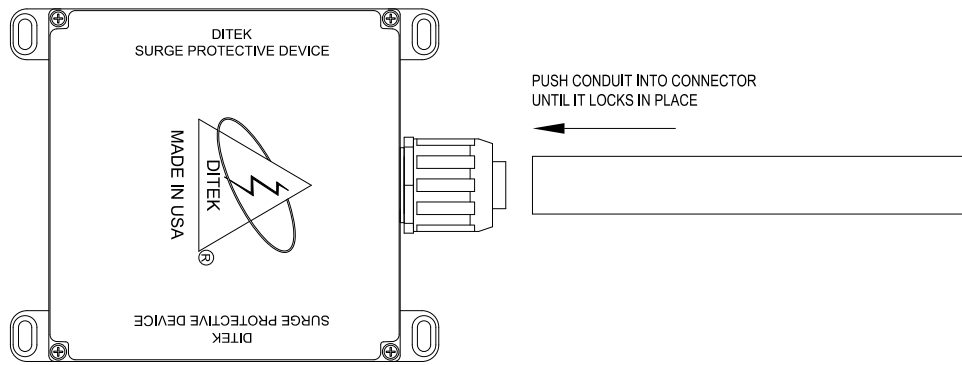
Illustrations Page

INSTALLATION

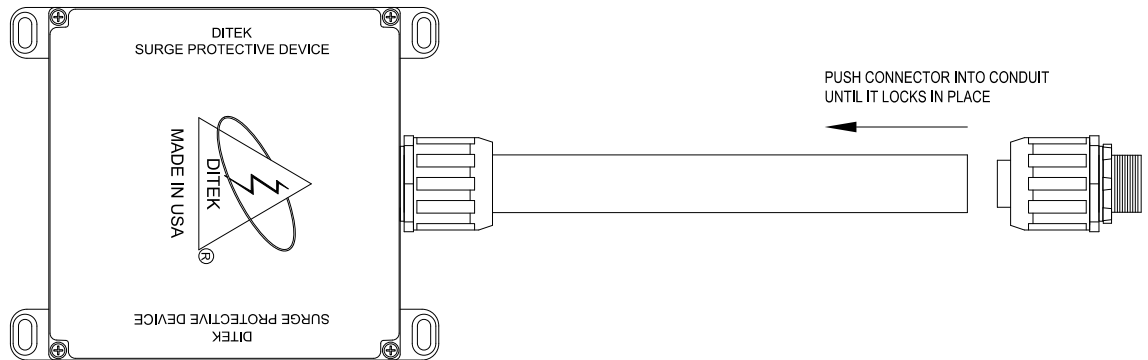
STEP 1



STEP 2



STEP 3



STEP 4

