



DITEK Corporation
ONE DITEK CENTER
1720 Starkey Road
Largo, FL 33771

INSTALL INSTRUCTIONS

DTK-VM2W4, DTK-VM2W8

This Surge Protective Device (SPD) is a high performance device, designed to provide protection for sensitive electronic loads connected to service panels, fire panels, or where the SPD is directly connected to the electronic device. Maximum protection will only be achieved if the SPD is properly installed. Please read and follow the installation instructions carefully.

NOTICE:

This SPD should be installed by a licensed contractor in accordance with the National and Local Electrical Codes and the following instructions.

APPLICATION:

Wall mounted surge suppression for Ethernet, PoE, PoE extender circuits and low voltage circuits with field-replaceable surge modules (DTK-NETS, DTK-EXTS, DTK-VM2, DTK-VM2T SERIES)

INSTRUCTIONS:

Note: This device is intended to be installed indoors closest to equipment being protected.

1. Test circuit prior to install to verify correct operation.
2. Turn off the power to the equipment to be protected.
3. This device can be wall-mounted using the molded brackets, or standalone on a desktop.
4. Connect to equipment ground using the ground lug provided on rear of faceplate. Use a minimum 12 AWG wire. Make sure the ground wire is as short as possible.

GROUND RESISTANCE RULE:

Max ground resistance is 25 Ohms, 5 Ohms or less is optimal. This cannot be an assumed value and must be measured to assure proper grounding.

SURGE MODULE INSTALL/REPLACEMENT:

This product can accept up to 4 (DTK-VM2W4) or up to 8 (DTK-VM2W8) individual surge modules.

If 1 or more channels self-sacrifice, or go end of life, you can replace that module as follows:

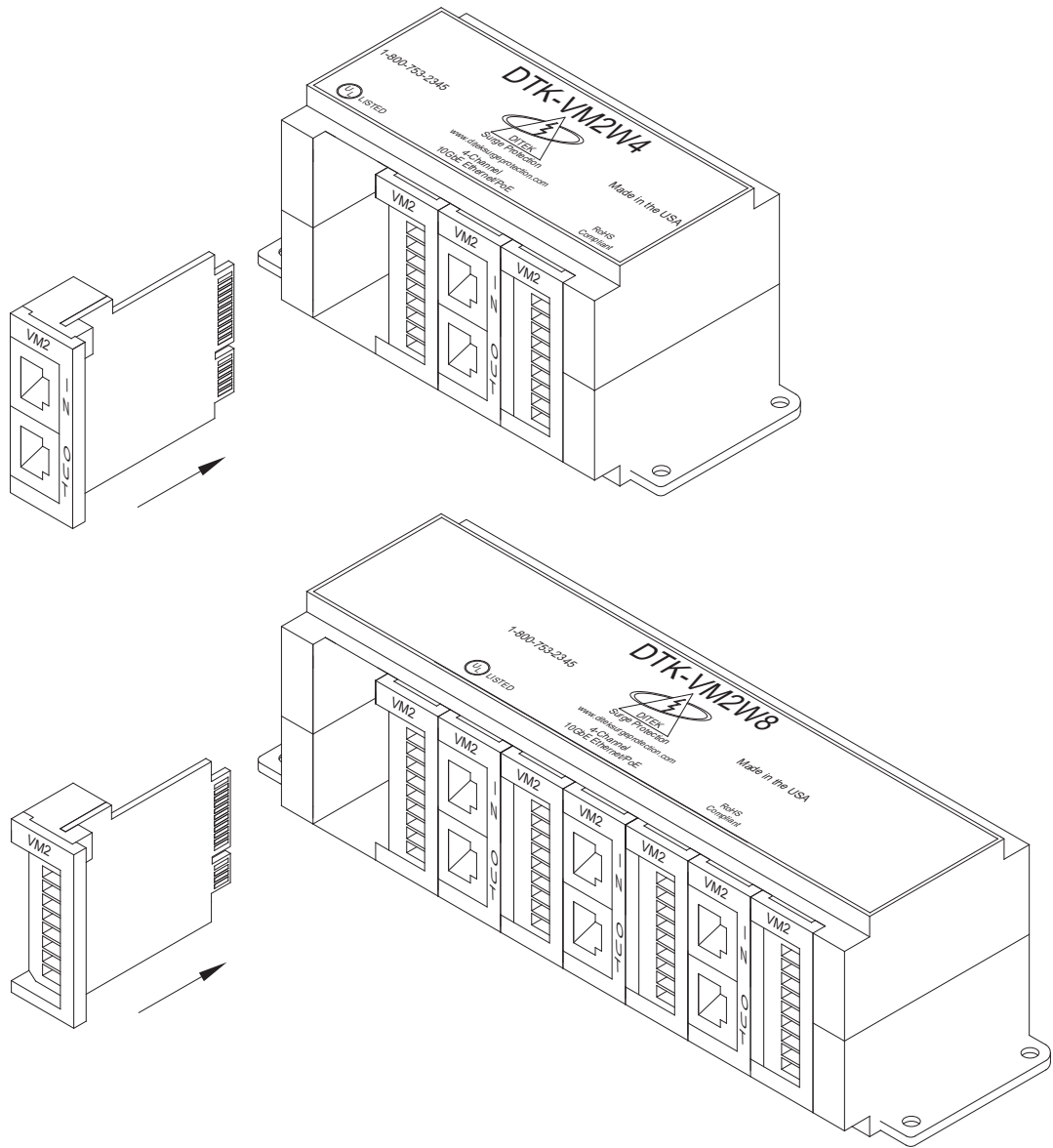
1. Power down the individual circuit before servicing this device.
2. Insert a 3/8" wide flat blade screwdriver into the top notch of the module's bezel.
3. Gently turn the screwdriver to the right to loosen the bezel.
4. Insert the screwdriver into the bottom notch and again gently turn the screwdriver to the right until the module is free of the mating connector located at the rear of the rack mount chassis.
5. Remove module or blank bezel for new install.
6. Insert new surge module into opening aligning the surge module with the integrated card guides. The orientation should match the previous module.
7. For DTK-VM2T hardwired modules, the protected and unprotected wires must be secured to the terminal block and tightened before inserting the modules into the chassis.
8. Press the new surge module in place making sure it is seated completely and the bezel is flush with the enclosure.
9. Please see the illustrations page and/or install instructions of the individual modules for proper wiring and installation.
10. After all connections have been made and no hazards exist, restore power to the circuit.



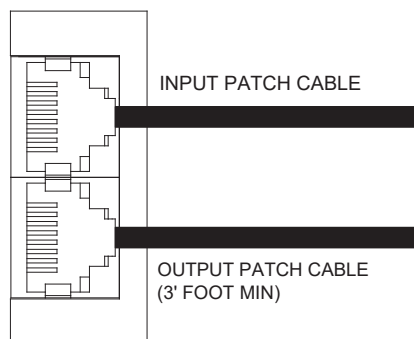
DITEK Corporation
 ONE DITEK CENTER
 1720 Starkey Road
 Largo, FL 33771

INSTALL INSTRUCTIONS

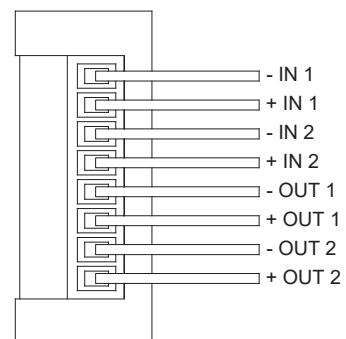
DTK-VM2W4, DTK-VM2W8



NETS/ EXTS/ VM2 SERIES



VM2T SERIES



INSTALLATION