



DITEK Corporation
 ONE DITEK CENTER
 1720 STARKEY ROAD
 LARGO, FL 33771

INSTALLATION

INSTALL INSTRUCTIONS

FLUSH MOUNT PLATE

NOTICE:

This SPD should be installed by a licensed electrician in accordance with the National and Local Electrical Codes and the following instructions.

APPLICATION

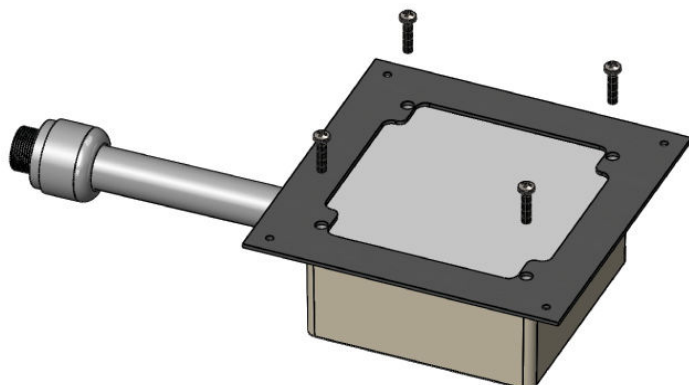
Flush Mount plate for HD Series, D100 Series and D200 Series.

Note: D100-FMK also fits DTK-120/240HD2 and DTK-120/240SA.

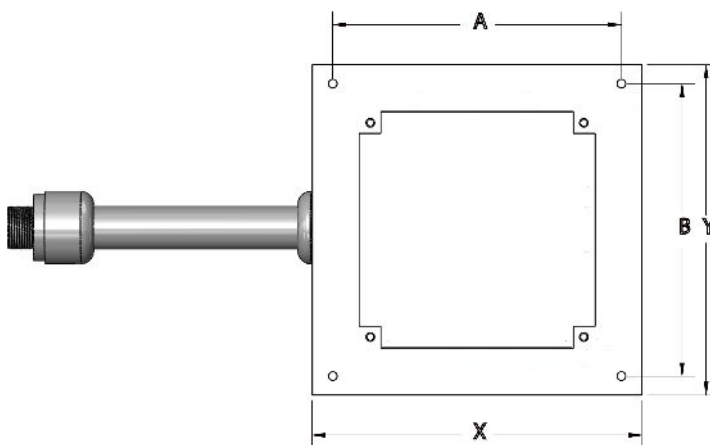
INSTRUCTIONS:

Caution: If unit has been previously installed, make sure that the unit is powered off and the circuit breaker is in the off position before removal of the unit. Improper installation voids the warranty.

1. Unscrew the 4 screws on the front cover of the unit and leave the cover in place.
2. Place the flush mount plate on top of the front cover making sure all holes are aligned.
3. Re-install the 4 screws into the front cover. **DO NOT OVERTIGHTEN THE SCREWS OR DAMAGE WILL OCCUR TO THE RETAINING NUTS.**
4. Use the included screw & anchor kit to secure the flush plate to the surface e.g. drywall, etc.



*Note: It is recommended not to exceed 2.5 lbf-inch when tightening screws.



Model	X Dimension	Y Dimension	A Dimension	B Dimension
DTK-FMKHD	6.00	6.00	5.25	5.25
DTK-FMKHD2	6.50	6.50	5.75	5.75
D100-FMK	6.50	6.50	5.75	5.75
D200-FMK	9.00	9.00	8.00	8.00

Drawn By: J.Ramirez 3-4-10
 Approved By: R. Mitchell 3-4-10
 Revised By: Mike Molinari 08-13-21

DITEK Technical Support Available 24/7

1-888-472-6100

www.ditekcorp.com

Doc # INT-100107-001
 Part No. 191410 Rev 5